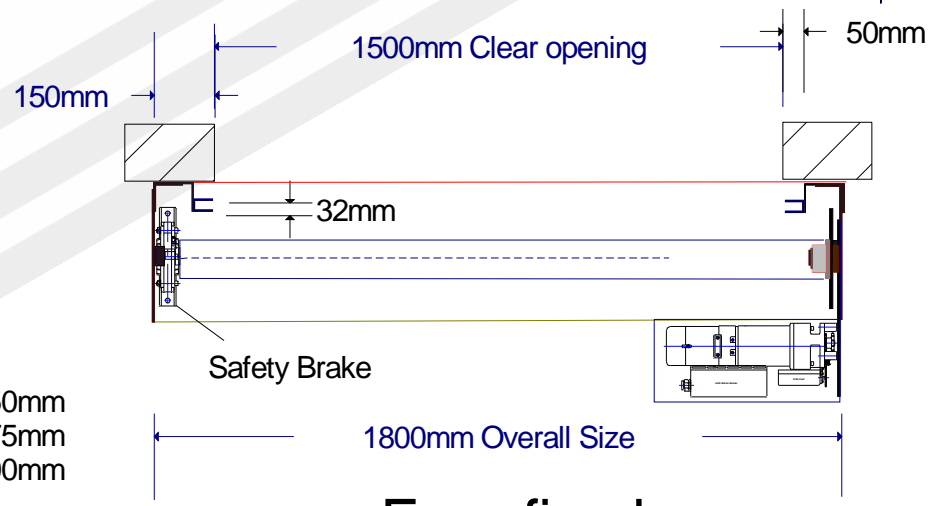


Reveal fixed



Face fixed

Head plate sizes:
 Overall height: Upto 3500mm Head plate = 350mm
 Overall height: Upto 4000mm Head plate = 375mm
 Overall height: Upto 4500mm Head plate = 400mm

Minimum Side guide requirements:
 Overall width: Upto 3000mm Guide = 50mm X 32mm
 Overall width: Upto 4000mm Guide = 63mm X 32mm
 Overall width: Upto 5000mm Guide = 63mm X 32mm
 Overall width: Upto 7000mm Guide = 76mm X 32mm
 Overall width: Upto 8000mm Guide = 100mm X 32mm

Product: FG01 Fire guard
Operation: 1 or 3 phase electric
Operator: Push button Control, Auto reset solenoid, FCP03 Fire panel, Chain override
Fixing: Reveal fixed or Face fixed
Finish: Galvanised

HAG Shutters & Grilles Ltd
 1 Oak Lane
 Fishponds
 Bristol
 BS5 7UY

Tel: 0117 9654888
 Fax: 0117 9657773
www.hag.co.uk
info@hag.co.uk

Disclaimer
 HAG operates a policy of continuous improvements, product specification may change and it is advisable to consult with HAG technical advisors before specifying or ordering.

Installation & Space requirements for standard Industrial Electric shutter

Scale: 1:20 @ A3