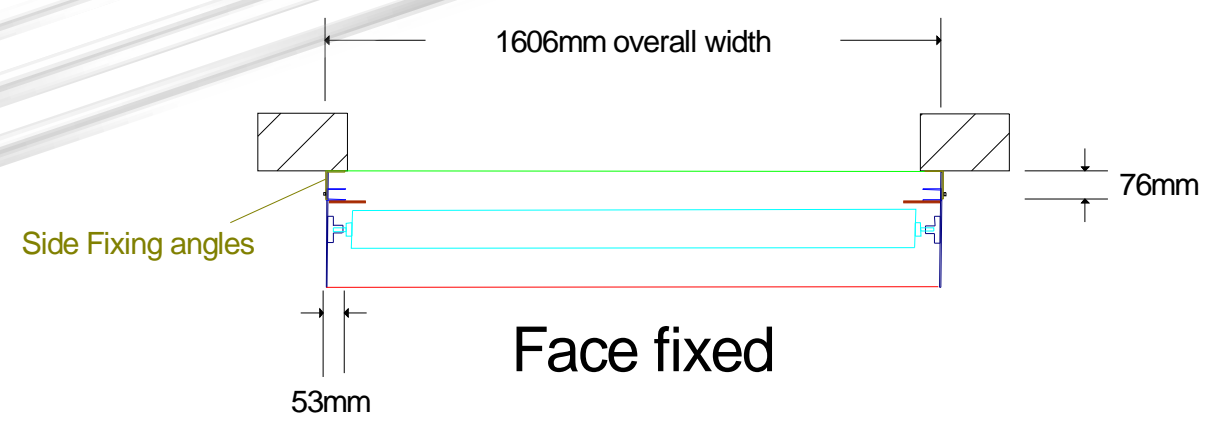


Reveal fixed



Face fixed

Product: N2S (In line Style) Armourguard
Operation: Manual Spring & lock
Fixing: Reveal fixed or Face fixed
Finish: Galvanised

Head plate sizes:
 Overall height: Upto 2000mm Head plate = 254mm
 Overall height: Upto 3000mm Head plate = 305mm
 Overall height: Upto 3500mm Head plate = 355mm

Minimum Side guide requirements:
 Overall width: Upto 1400mm Guide = 38mm X 32mm
 Overall width: Upto 3000mm Guide = 50mm X 32mm

Maximum width: 2850mm
Maximum height: 3500mm
Curtain weight: 8kgs per m2

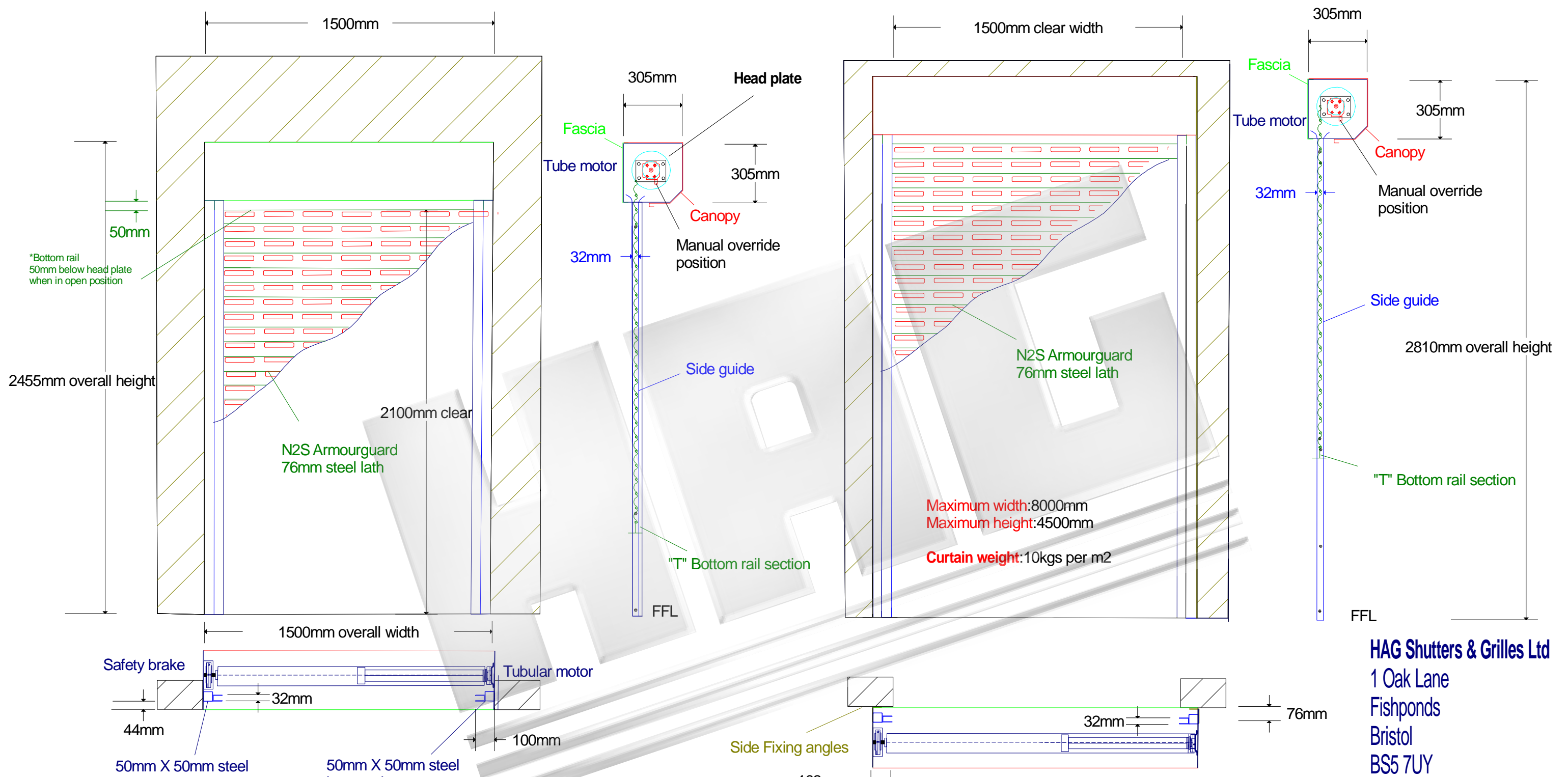
Disclaimer
 HAG operates a policy of continuous improvements, product specification may change and it is advisable to consult with HAG technical advisors before specifying or ordering.

HAG Shutters & Grilles Ltd
 1 Oak Lane
 Fishponds
 Bristol
 BS5 7UY

Tel: 0117 9654888
 Fax: 0117 9657773
www.hag.co.uk
info@hag.co.uk

Installation & Space requirements for standard manual shutter

Scale: 1:20 @ A3



Reveal fixed

Face fixed

Product: N2S Armourguard
Operation: Single phase tube motor with override
Operator: security keyswitch
Power requirements: 13amp fused spur within 1 metre of opening
Fixing: Reveal fixed or Face fixed
Finish: Galvanised

Head plate sizes:
 Overall height: Upto 2000mm Head plate = 254mm
 Overall height: Upto 3000mm Head plate = 305mm
 Overall height: Upto 3500mm Head plate = 355mm
 Overall height: Upto 4000mm Head plate = 375mm
 Overall height: Upto 4500mm Head plate = 400mm

Minimum Side guide requirements:
 Overall width: Upto 1400mm Guide = 38mm X 32mm Box section = 50mm
 Overall width: Upto 3000mm Guide = 50mm X 32mm Box section = 50mm
 Overall width: Upto 4000mm Guide = 63mm X 32mm Box section = 50mm
 Overall width: Upto 5000mm Guide = 63mm X 32mm Box section = 76mm
 Overall width: Upto 7000mm Guide = 76mm X 32mm Box section = 76mm
 Overall width: Upto 8000mm Guide = 100mm X 32mm Box section = 76mm

Maximum width: 8000mm
 Maximum height: 4500mm
 Curtain weight: 10kgs per m2

HAG Shutters & Grilles Ltd
 1 Oak Lane
 Fishponds
 Bristol
 BS5 7UY

Tel: 0117 9654888
 Fax: 0117 9657773
www.hag.co.uk
info@hag.co.uk

Disclaimer
 HAG operates a policy of continuous improvements, product specification may change and it is advisable to consult with HAG technical advisors before specifying or ordering.

Installation & Space requirements for standard Electric shutter

Scale: 1:20 @ A3